

## PRODUCT DATA SHEET

### Metacaulk® 950 Firestopping Sealant

Classified Through-Penetration Firestop System Numbers CAJ-1035, CAJ-1036, CAJ-1038, CAJ-1039, CAJ-1051, CAJ-1076, CAJ-1114, CAJ-2015, CAJ-3026, CAJ-3027, CAJ-5011 CAJ 5084 and CAJ-8010, CAJ-1186; WJ-1007, WJ-1008, WJ-1013, WJ-1019, WJ-2005 and WJ-8001; WL-1013, WL-1014, WL-1024, WL-1025, WL-1026, WL-1035, WL-1040, WL-2014. WL-3013, WL-1075, WL-3014, WL-5056, WL-1074 and WL-8001

February 1999



Charter Member

International FireStop Council

### 1. Product Description

Metacaulk® 950 is a one component fire-rated sealant for through-penetration fire stop systems. Metacaulk® 950 will intumesce when heated, forming an insulating char. In the event of a fire, Metacaulk® 950 will prevent the spread of flames, smoke, gas and water through penetration openings. It is formulated with incombustible inorganic materials, therefore Metacaulk® 950 will not create smoke or toxic gases when exposed to fire. Metacaulk® 950 is to be used for interior applications only. It cannot be used in areas where there is continuous vibration on the through-penetration opening where wet conditions exist or may occur, or where there are continuous temperatures above 120° F(49° C). Metacaulk® 950 is applied with a conventional caulking gun or troweled from pails. For large applications, it can be pumped from special straight sided pails. Metacaulk® 950 is a non-slumping sealant that sets to form a hard, yet retrofittable surface and can be used to seal static construction joints. Mixing is never required and no special skills are necessary for installation. Metacaulk® 950 systems are rated for 1, 2 and 3 hours in accordance with the ASTM E 814 (UL 1479) and ULC CAN 4-S115M test standards.

Use Metacaulk® 950 for various penetrations:

- Large Openings
- PVC/CPVC Pipe (Closed Only)
- Other Types of Plastic Pipe
- EMT, Semi-Rigid, and Rigid Conduit
- Steel, Copper, and Aluminum Pipe
- Multiple Pipes, Conduit, and Cable
- Steel and Copper Pipes with Insulation
- Telephone, Power, Romex Cable
- Static Construction Joints

This list of penetration material diameters vary from 1/4" (6 mm) to 21"(533 mm). Call RECTORSEAL for the latest updated information.

### Metacaulk® 950 Features

- \* Possessing intumescent properties; expands when exposed to fire.
- \* Inorganic and has No Volatile Solvents which makes it particularly useful when installing in confined spaces or occupied areas.
- \* Does not have Asbestos Fillers.
- \* A single component penetration sealant system, no mixing necessary and no required additives.
- \* D O T Classification is Not Regulated.
- \* Applied with a conventional caulking gun, trowel or with pumping equipment.
- \* An easy installation sealant with water clean up capabilities.
- \* A general purpose and accoustical fire stop sealant.

#### Activation of Intumescence:

Expansion Begins	220° F (104° C)
Expansion Greatest	275° F (135° C)
Color	Cream
Cure Time	21 days
Density	15.3 lbs/gal 1.83 kg/L
Elastomeric	No

#### ASTM E 84, UL 723 Tunnel Test

Flame Spread Index	0
Smoke Index	10
Freezing Temperature	30° F (-1° C)
Glass Transition Temperature	±2000° F (1093° C)

Corrosion Cracking	
NRC 1.36	Pass
Skin Over Time	2 min.
Tack Free Time	
TTS-230-C	Pass
pH Value	13.5
Volatile Solvents	None
Volume Coverage	
cu in/10.3 oz. tube	18, (295 cc)
cu in/lb (cu cm/kg)	15.1, (545)
cu in/gal (cu cm/L)	231, (1000)
Working Time	30 min.
STC	52

### Metacaulk® 950

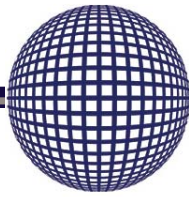


### 2. Material Properties

Asbestos Fillers	None
Application	Standard
	10.3 oz (304 ml)
	& 30.0 oz (887 ml)
	Caulking Tubes,
	1(3.8L), 2(7.6L),
	or 5 (18.9 L)
	Gallon Pails

### 3. Applications

Use Metacaulk® 950 exclusively for interior conditions. Because Metacaulk® 950 is water soluble it is not suitable for exterior or wet area use. See applications for Metacaulk® 835+ for exterior or wet conditions. Metacaulk® 950 is a general purpose fire stop sealant for electrical, plumbing, plastic pipe and telephone communication systems penetrations. Use in vertical and horizontal applications, and for bedding and sealing small voids, splices and gaps. Metacaulk® 950 is also an excellent fire rated acoustical sealant, and can be used around electrical outlets and non-vibrating construction joints. Use Metacaulk® 950 to prevent the spread of fire through fire rated gypsum wallboard partitions, concrete block or concrete walls and/or concrete or wood floors. Consult



## METACAULK® 950

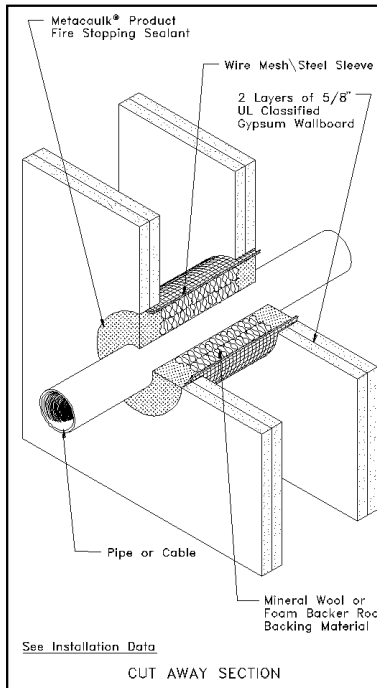
application data for specific aluminum alloys before using Metacaulk® 950 with aluminum pipe.

### 4. Installation Data

Install Metacaulk® 950 using standard caulking techniques or trowel from pails. For large applications, pump it from special straight sided pails. When damming material is needed, inexpensive cardboard or backer rod can be used. Prior to use, products should be brought to room temperature or 70° F (21° C) whichever is greater.

#### TYPICAL GYPSUM WALLBOARD INSTALLATION

- Step 1)** Cut opening in floor or wall.
- Step 2)** Clean penetration opening and surfaces of loose debris, dirt, oil and wax.
- Step 3)** Install wire mesh if required. Form wire mesh into cylinder to match hole diameter. Slip wire mesh inside wall along penetrating item and allow mesh to spring back against hole.
- Step 4)** Install backing material if required.
- Step 5)** Gun, trowel or pump the sealant as required to the specified depth. Trowel surface flush with wall.



### 5. Testing Data

Metacaulk® 950 is Classified by Underwriters Laboratories Inc. as a Fill, Void, or Cavity Material and is Listed by Warnock Hersey International, Inc. For specific test criteria, see UL Fire Resistance Directory and Warnock Hersey International Listings Directory or call RECTORSEAL.

Metacaulk® 950 was tested at a minimum 0.01 inches (2.5 Pa) water, positive pressure, in accordance with ASTM E 814 and UL 1479 test standards.

Through-Penetration Fire Stop, UL System Numbers WJ-1007, WJ-1008, WJ-1013, WJ-1019, WJ-2005, WJ-8001, WL-1013, WL-1014, WL-1024, WL-1025, WL-1026, WL-1035, WL-1040, WL-1074, WL-1075, WL-2014, WL-3013, WL-3014, WL-5056 and WL-8001 are for use in gypsum wallboard with steel or wood studs or for use in concrete block or concrete slab wall construction. UL System Numbers CAJ-1035, CAJ-1036, CAJ-1038, CAJ-1186, CAJ-1039, CAJ-1051, CAJ-1076, CAJ-1114, CAJ-2015, CAJ-3026, CAJ-3027, CAJ-5011, CAJ5084 and CAJ-8010 are for solid concrete or concrete block walls and concrete floor construction. WHI System Numbers TRC/PH60-01 and TRC/PH 60-02 are for wood floor construction.

Sound Transmission Class (STC) calculated in accordance with ASTM 413-73.

### 6. Storage & Handling

Metacaulk® 950 is not to be stored in areas where temperatures exceed 100° F (38° C) or drop below 35° F (2° C). If freezing occurs, thaw completely before use. Keep products stored under protective cover, in its original containers. Product has a minimum shelf life of 2 years, subject to re-inspection thereafter. A stock rotation program is recommended.

### 7. Availability

Metacaulk® 950 is available in: 10.3 oz. (304 ml) and 30.0 oz. (887 ml) standard caulking tubes, and 1(3.8 L), 2 (7.6 L), and 5 (18.9 L) gallon pails.

### 8. Limitations

Metacaulk® 950 cannot be used in areas where there is continuous vibration on the through-penetration opening, where wet

conditions exist or may occur or where there are continuous temperatures above 120° F (49° C). Metacaulk® 950 is not suitable for exterior or wet area use. Consult application data for specific aluminum alloys before using Metacaulk® 950 with aluminum pipe.

### 9. CAUTIONS

**FOR CHEMICAL EMERGENCY, SPILL, LEAK, FIRE, EXPOSURE OR ACCIDENT, CALL CHEMTREC-DAY OR NIGHT 1-800-424-9300.**

**CONTAINS:** Alkaline silicate and ceramic fibers. **PRECAUTIONS:** Do not take internally. May cause eye, skin, and respiratory tract irritation. Wear gloves and safety glasses. Wash after handling. **FIRST AID:** For any overexposure or if skin irritation develops, get immediate medical attention after first aid is given. **EYES** - Flush for 15 minutes with clean water. **SKIN** - Wash with soap and water. Do not use solvents to remove from skin. **INHALATION** - Remove to fresh air. **INGESTION - DO NOT INDUCE VOMITING.** **SPILLS** - Clean up immediately with scrapers and water. **STORAGE AND HANDLING** - Keep container upright and tightly closed. Do not reuse container. **KEEP OUT OF REACH OF CHILDREN.**

For additional information, refer to Material Safety Data Sheet

**For additional technical service, call: 1-800-231-3345  
Fax: 1-800-452-2824**

**RECTORSEAL**  
2601 Spenwick Drive, Houston, Texas 77055  
WWW.RECTORSEAL.COM  
WWW.METACAULK.COM

### 10. LIMITED WARRANTY

RectorSeal makes the Limited Express Warranty that at the date of delivery this product will be free from defects in RectorSeal materials and workmanship. THIS LIMITED EXPRESS WARRANTY IS EXPRESSLY IN LIEU OF ANY OTHER EXPRESS OR IMPLIED WARRANTIES, INCLUDING ANY IMPLIED WARRANTY OF MERCHANTABILITY OR FITNESS FOR A PARTICULAR PURPOSE, AND OF ANY OTHER OBLIGATION ON THE PART OF RECTORSEAL. The sole remedy for breach of the Limited Express Warranty shall be the refund of the purchase price. All other liability is negated and disclaimed, and RectorSeal shall not be liable for incidental or consequential damages.

Suggestions and recommendations covering the use of our products are based on our past experience and laboratory findings. However, as we have no control as to the methods and conditions of application, we only assume responsibility for the uniformity of our products within manufacturing tolerances.